

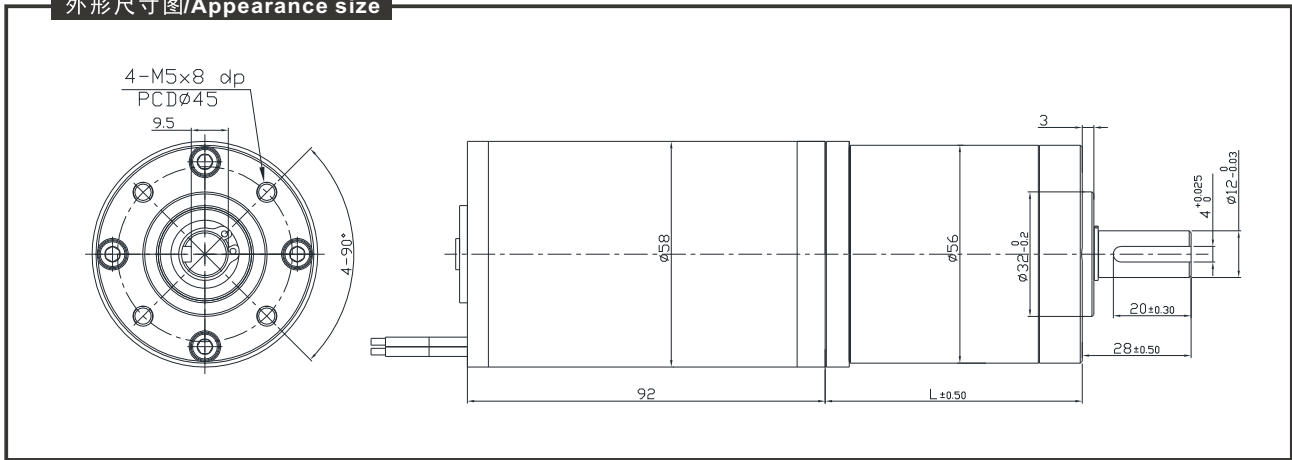
PG56ZY58



- 1、外壳材质(Housing material): metal
- 2、背隙, 无负荷时 (Backlash, at no-load): $\leq 1.2^\circ$
- 3、轴承型号 (Bearing at output): ball bearings
- 4、径向间隙 (Radial play of shaft): $\leq 0.05\text{mm}$
- 5、轴向间隙 (Thrust play shaft): $\leq 0.3\text{mm}$
- 6、警告: 马达瞬间允许扭力600kgf.cm。当使用低转速、高速比时, 请做好保护措施。
(When the motors using at low speed, high gear ratio will cause gear motor torque more than 600kgf.cm. At this torque the gears will be broken easily. Be noted.)
- 7、适用范围/Typical applications: 监控云台/云台、烘烤架、烤炉、清洗机、垃圾处理机、捆钞机、医疗食品、稳压器、游戏机、灌流泵、办公设备、家用电器。
Pan/Tilt cameras, Grill, Oven, Cleaning machine, Garbage disposers, Packing bank note machine, Coffee machine, Medical machine, Manostat, Amusement equipment, infusion pumps, Office equipment, Household appliances, Automatic actuator.

TWIRL MOTOR

外形尺寸图/Appearance size



齿轮箱清单/Gearbox data:

级数 Number of stages	1 stages reduction	2 stages reduction	3 stages reduction	4stages reduction	5stages reduction
减速比Reduction ratio	3.6, 4.3	13, 19.2, 22.7	46.7, 69, 102, 121,	198, 276, 326, 409, 513,	843, 995, 1567, 1966, 2321, 3439,
齿轮箱长度 Gearbox length "L" mm	38.3	52.2	66.1	80.0	96.4
最大额定力矩 Max. Running torque	50Kgf·cm	100Kgf·cm	200Kgf·cm	200Kgf·cm	200Kgf·cm
最大损坏扭力 Max. Gear breaking torque	150Kgf·cm	300Kgf·cm	600Kgf·cm	600Kgf·cm	600Kgf·cm
效率Gearing efficiency	90%	81%	73%	65%	59%

马达清单/Motor data:

马达型号 Motor name	额定电压 Rated Volt. V	空载No load		负载扭矩Load torque				堵转扭矩Stall torque	
		Current	Speed	Current	Speed	Torque	Output power	Torque	Current
		mA	r/min	mA	r/min	gf·cm	W	gf·cm	A
ZY58123000	12	≤ 480	3000	≤ 4600	2418	1508	38.1	7594	21.1
ZY58243000	24	≤ 260	3000	≤ 2620	2412	1562	39.5	8392	12.4

1、减速后的输出力矩 = 马达力矩X减速比X齿轮效率。输出转速 = 马达转速/减速比。

1、After connecting motor and gearbox which is named gearmotor the output torque: motor torque X reduction ratio X gearing efficiency; output speed: motor speed / reduction ratio.

NOTE:

- 1、马达命名: 如PG56ZY58123000-102K。马达参数如马达清单上的ZY58123000, 齿轮减速比参数如齿轮箱清单上的102, 马达的输出转速和输出力矩请参照上表的马达清单。
- 2、马达可安装的译码器参数请参照第45页。
- 3、标准输出轴为 $\Phi 12.0\text{mm}$, 其它尺寸可根据客户要求制作。
- 4、以上参数仅作参考, 具体以实物为准。
- 1、Gearmotor named methods: e.g. PG52ZY52123000-102K Motor please refer to the motor data ZY52123000. Gearbox please refer to gearbox data reduction ratio 102. Related to gearmotor output speed and torque please refer to motor data.
- 2、Motor can be installed with magnetic encoder, encoder parameters please refer to Page 45.
- 3、Standard output shaft after reducing: 12.0mm. other sizes of the output shaft can make as client request.
- 4、Chart only for reference, products shall prevail the entity.