

# PG16M050



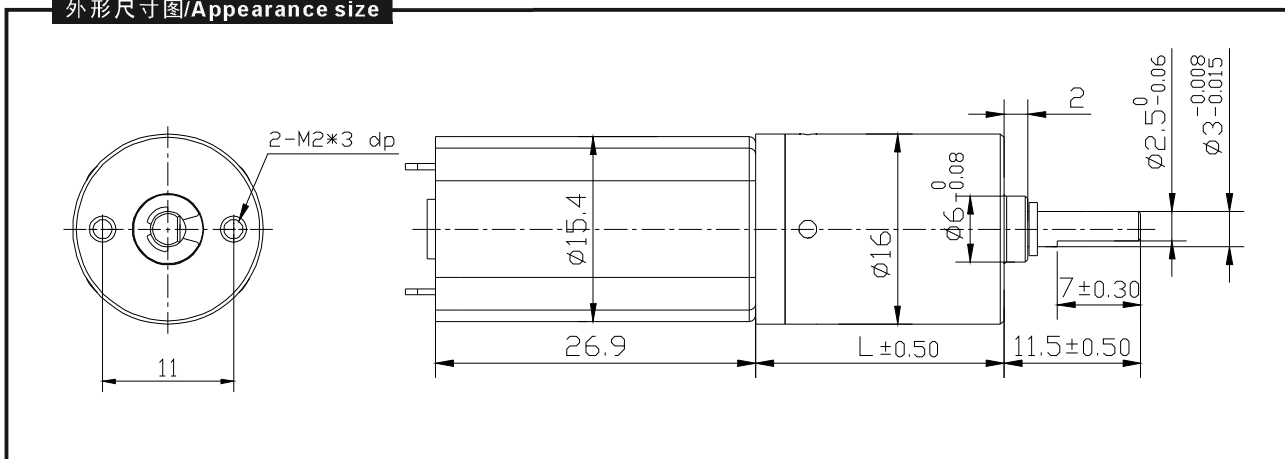
**适用范围/Typical applications:**

光学仪器、调焦照相机、指纹锁、自动节能器、水表IC卡、玩具礼品、办公设备、家用电器、自动执行器等。

Optical equipment, Monitoring cameras, Kind of finger-electroni locks, Automatic energy saving bath, Water IC card, Toys and gifts, Office equipment, Household appliances, Automatic actuator.

TWIRL MOTOR

**外形尺寸图/Appearance size**



**齿轮箱清单/Gearbox data:**

级数 Number of stages	1 stages reduction	2 stages reduction	3 stages reduction	4stages reduction	5stages reduction
减速比 Reduction ratio	4, 4.75	12.3, 16, 19, 22.5	42.8, 64, 76, 90, 107	150, 256, 304, 361, 428,	712, 1024, 1216, 1444, 1715, 2036, 2418,
齿轮箱长度 Gearbox length "L" mm	13.7	17.3	20.9	24.5	28.1
齿轮最大额定力矩 Max. Gear Running torque	1.0Kgf · cm	1.5Kgf · cm	4.0Kgf · cm	4.0Kgf · cm	4Kgf · cm
齿轮最大损坏扭力 Max. Gear breaking torque	3.0Kgf · cm	4.5Kgf · cm	12Kgf · cm	12Kgf · cm	12Kgf · cm
效率Gearing efficiency	90%	81%	73%	65%	59%

**马达清单Motor data:**

马达型号 Motor name	额定电压 Rated Volt. V	空载No load		负载扭矩Load torque				堵转扭矩 Stall torque	
		Current	Speed	Current	Speed	Torque	Output power	Torque	Current
		mA	r/min	mA	r/min	gf · cm	W	gf · cm	mA
RF-050129000	12	≤20	9400	≤90	7200	7.2	0.5	31.4	280
RF-0501212000	12	≤36	12000	≤160	9600	10	0.96	50	580
RF-0502414000	24	≤30	14000	≤100	10500	12	1.2	49	350

1、 减速后的输出力矩 = 马达力矩X减速比X齿轮效率。输出转速 = 马达转速/减速比。  
 1、 After connecting motor and gearbox which is named gearmotor the output torque: motor torque X reduction ratio X gearing efficiency; output speed: motor speed / reduction ratio.

**NOTE:**

- 1、 马达命名: 如PG160501212000-90K。马达参数如马达清单上的RF-0501212000, 齿轮减速比参数如齿轮箱清单上的90, 马达的输出转速和输出力矩请参照上表的马达清单。
  - 2、 马达可安装译码器。
  - 3、 标准输出轴为Φ3.0mm, 其它尺寸可根据客户要求制作。
  - 4、 以上参数仅作参考, 具体以实物为准。
- 1、 Gearmotor named methods: e.g. PG160501212000-90K Motor please refer to the motor data RF-0501212000. Gearbox please refer to gearbox data reduction ratio 90. Related to gearmotor output speed and torque please refer to motor data.
- 2、 Motor can be installed with magnetic encorder.
- 3、 Standard output shaft after reducing: Φ3.0mm. other sizes of the output shaft can make as client request.
- 4、 Chart only for reference, products shall prevail the entity.